

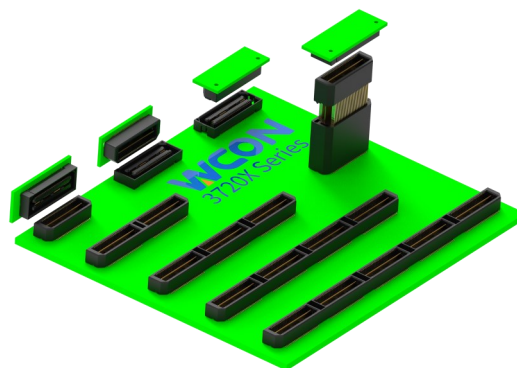
0.50mm (0.020")pitch,SMT Board-to-Board Connector
0.50毫米（0.020英寸）间距，表面贴装板对板连接器

Overview

0.50mm pitch 37201, 37202, and 37203 series products are compact, high-density, high-performance board-to-board connectors capable of achieving 30Gbps transmission rates.

概述

0.50mm间距37201、37202、37203系列产品是一款小体积、高密度、高性能,可实现30Gbps的传输速率板到板连接器。



Features and Benefits

- Stacking height: 5mm–30mm (selectable)
- Unique terminal design for stable and reliable contact
- Featuring locating pins to ensure precise positioning on the circuit board
- Can provide up to 300 Positions

特点与优势

- 组合高度范围：5mm~30mm(可选)
- 独特端子设计，接触稳定可靠
- 带有定位柱，确保在电路板上进行精准定位
- 最大可提供300位数

Product Applications

- Industrial Control and Automation, Instrumentation, Robot
- Servers, data centers, storage devices

产品应用

- 工业控制与自动化、仪器仪表、机器人
- 服务器、数据中心、存储设备

Standard 标准

- IEC 60512
- GB/T 5095

Material 材料

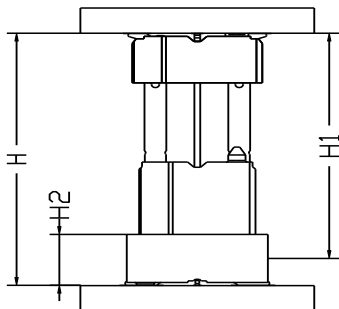
Part/零件	Material/材料	Finish/电镀	UL Flame retardant/阻燃等级
Plug/插头	LCP	Black/黑色	UL94V-0
Socket/插座	LCP	Black/黑色	UL94V-0
Terminal/端子	Copper Alloy	Plated Au or Matte Tin 镀金或雾锡	-

Production Specifications 产品规格

Current rating 额定电流	2 A	Operating Temperature Range:-55° C~+125° (including temperature rise) Operating Humidity Range:20-80% 工作温度范围: -55° C~+125° C(含温升) 工作湿度范围: 20-80%	Storage Teroerature:25±5° C Humidity:≤60% 储存温度: 25±5° C 储存湿度: ≤60%
Voltage rating 额定电压	175V		

Item 项目	Condition 条件	Specification 规格
Insulation Resistance 绝缘电阻	Measured at 500V DC for 1 minute 测试电压: 500V DC/1分钟	No less than 5000M Ω 不少于5000MΩ
Withstanding voltage 耐电压	Measured at 675V AC for 1 minute 测试电压: 675V AC/1分钟	No breakdown, no discharge, leakage current <1 mA 无击穿、无放电、漏电流<1 mA
Contact Resistance 接触电阻	Test Voltage 测试电压: 20mV Max Test current 测试电流: 50mA Max	Contact resistance: Initial value/ 15 mo max After environmental tests/ 30 mo max. 接触电阻: 初始值 15 mΩ 以下 测试后 30 mΩ 以下
Random Vibration 随机振动	Frequency 频率: 50 to 2000 Hz G'RMS'加速度均方根: 7.56 ASD 位准: 0.04 Duration 时间: 2H /axis,3 axis total Vibration 振动方向: x、y、z 方向: X/Y/Z	No electrical discontinuity of 1μs or greater 试验过程中未发生1μs瞬断现象, 且外观无损伤, 电气性能正常
Thermal shock 冷热冲击	Temperature 温度: -55~125°C Cycle index 循环次数: 10 cycles Lingering times 驻留时间: 3H	Contact resistance: Initial value/ 15 mo max After environmental tests/ 30 mo max. 接触电阻: 初始值 15 mΩ 以下 测试后 30 mΩ 以下
Salt Spray 盐雾	Temperature 温度: 35±2°C Humidity 湿度: 95~98% (R.H) pH Value 酸碱值: 6.5~7.2 Duration 时间: 24H	Contact resistance: Initial value/ 15 mo max After environmental tests/ 30 mo max. 接触电阻: 初始值 15 mΩ 以下 测试后 30 mΩ 以下
Durability(Mating/un- mating) 插拔寿命	100 cycles 循环100次	Contact resistance: Initial value/ 15 mo max After environmental tests/ 30 mo max. 接触电阻: 初始值 15 mΩ 以下 测试后 30 mΩ 以下

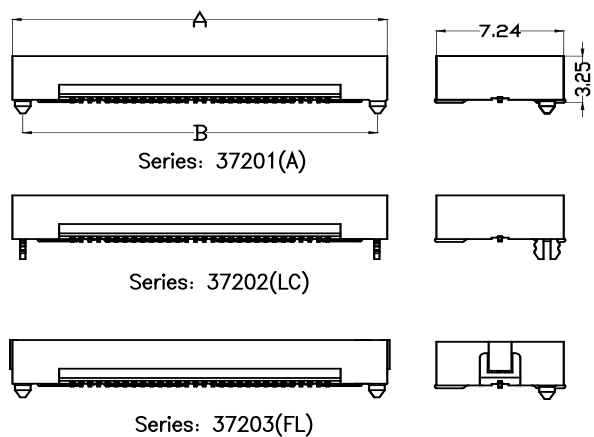
Mating Height Chart 配合高度一览表



MATED HEIGHT 合高 (H)	SOCKET HEIGHT 母座 (H2)	PLUG HEIGHT 公座 (H1)
5.00	3.25	4.26
8.00	3.25	7.26
11.00	3.25	10.26
14.00	3.25	13.26
15.00	3.25	14.26
16.00	3.25	15.24
19.00	3.25	18.24
22.00	3.25	21.24
25.00	3.25	24.24
30.00	3.25	29.24

37201/37202/37203Series

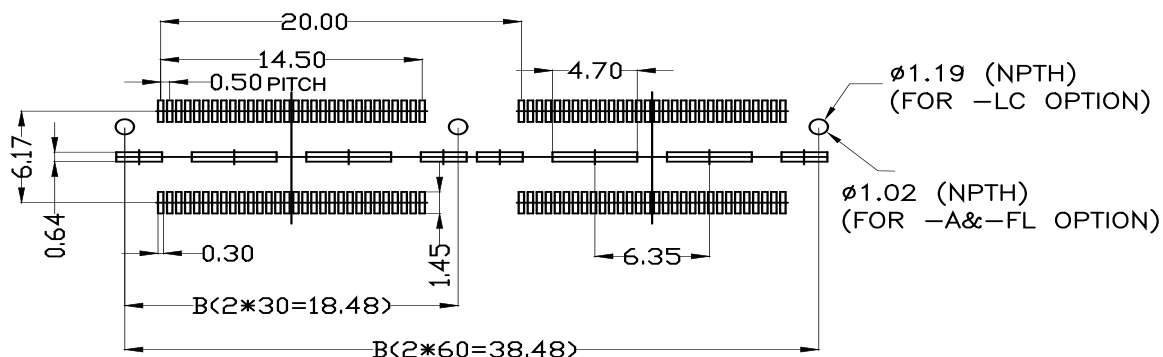
Dimensions 尺寸(Socket 插座)



Order Information 订购信息

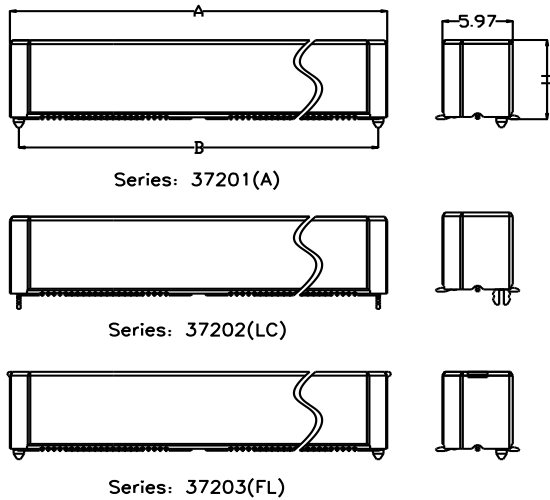
Circuit 芯数	Series 系列	Part number 型号	Plating 电镀	Dimensions 尺寸 (mm)			
				A	B		
2*30	37201	37201-SM060-032XXA01	XX: W1= SEL.30U"GOL D/MATTE SN	21.31	20.13		
2*60		37201-SM120-032XXA01		41.31	40.13		
2*90		37201-SM180-032XXA01		61.31	60.13		
2*1200		37201-SM240-032XXA01		81.31	80.13		
2*150		37201-SM300-032XXA01		101.31	100.13		
2*30	37202	37202-SM060-032XXA01		W3= SEL.10U"GOL D/MATTE SN	21.31	20.13	
2*60		37202-SM120-032XXA01			41.31	40.13	
2*90		37202-SM180-032XXA01			61.31	60.13	
2*1200		37202-SM240-032XXA01			81.31	80.13	
2*150		37202-SM300-032XXA01			101.31	100.13	
2*30	37203	37203-SM060-032XXA01			W5= SEL.30U"GOL D/MATTE SN	21.31	20.13
2*60		37203-SM120-032XXA01				41.31	40.13
2*90		37203-SM180-032XXA01				61.31	60.13
2*1200		37203-SM240-032XXA01				81.31	80.13
2*150		37203-SM300-032XXA01				101.31	100.13

PCB Layout 印刷电路板布局(SMT)



Dimensions 尺寸 (Plug 插头)

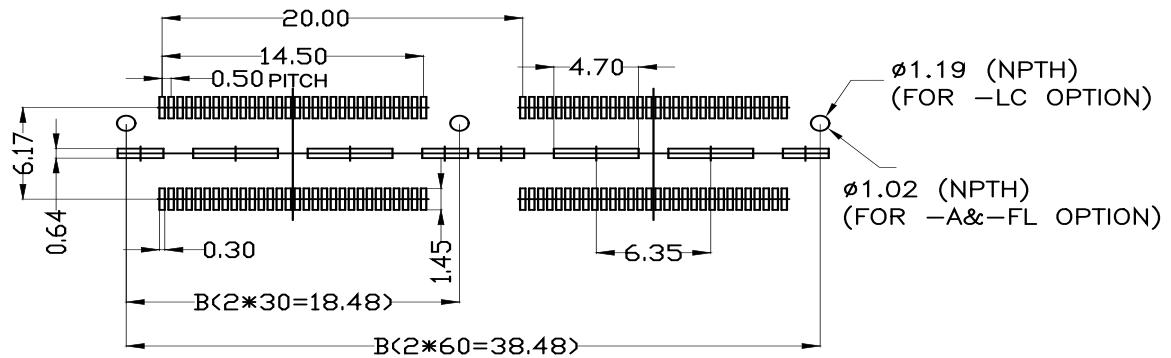
Order Information 订购信息



Circuit 芯数	Series 系列	Part number 型号	Plating 电镀	Dimensions 尺寸 (mm)	
				A	B
2*30	37201	37201-PM060-***XXA01	XX: W1= SEL.30U"GOL D/MATTE SN W3= SEL.10U"GOL D/MATTE SN W5= SEL.30U"GOL D/MATTE SN	21.31	20.13
2*60		37201-PM120-***XXA01		41.31	40.13
2*90		37201-PM180-***XXA01		61.31	60.13
2*1200		37201-PM240-***XXA01		81.31	80.13
2*150		37201-PM300-***XXA01		101.31	100.13
2*30	37202	37202-PM060-***XXA01		21.31	20.13
2*60		37202-PM120-***XXA01		41.31	40.13
2*90		37202-PM180-***XXA01		61.31	60.13
2*120		37202-PM240-***XXA01		81.31	80.13
2*150		37202-PM300-***XXA01		101.31	100.13
2*30	37203	37203-PM060-***XXA01		21.31	20.13
2*60		37203-PM120-***XXA01		41.31	40.13
2*90		37203-PM180-***XXA01		61.31	60.13
2*120		37203-PM240-***XXA01		81.31	80.13
2*150		37203-PM300-***XXA01		101.31	100.13

Note: * denotes plastic height, refer to the mating height chart.
注: *表示塑料高度, 请参考配合高度表

PCB Layout 印刷电路板布局 (SMT)



37201/37202/37203Series

High-Speed Parameter Table 高速参数表

Based on a 3db insertion loss 插入损耗 3db 时对应值

Stack Height 堆叠高度	Single-ended signaling 单端信号	Differential pair signaling 差分对信号
5mm	9.5 GHz/19.0 Gbps	11.0 GHz/22.0 Gbps
8mm	8.0 GHz/16.0 Gbps	15.0 GHz/30.0 Gbps
11mm	10.0 GHz/20.0 Gbps	6.5 GHz/13.0 Gbps
14mm	10.0 GHz/20.0 Gbps	10.5 GHz/21.0 Gbps
15mm	9.5 GHz/19.0 Gbps	10.0 GHz/20.0 Gbps
16mm	9.5 GHz/19.0 Gbps	9.5 GHz/19.0 Gbps
19mm	9.0GHz/18.0 Gbps	9.0GHz/18.0 Gbps
22mm	7.5 GHz/15.0 Gbps	9.0GHz/18.0 Gbps
25mm	3.5 GHz/7 Gbps	8.5 GHz/17 Gbps
30mm	6.0GHz/12 Gbps	5.5 GHz/11 Gbps

Model Numbering 型号命名

3720X	-	S	M	XXX	XXX	XX	X	01
(1)		(2)	(3)	(4)	(5)	(6)	(7)	(8)
(1) Series (系列): 0.50mm High-Speed BTB Series 37201=A 37202=LC 37203=FL				(5) Housing High(塑胶高度): 032=3.25mm				
(2) Product type (产品类型): S=Socket 插座				(6) Plating(电镀): W1=3u"Gold/Matte Tin W3=10u"Gold/Matte Tin W5=30u"Gold/Matte Tin				
(3) Board-Mounting(板安装): M=180° SMT				(7) Packing(包装): R=Reel&Reel A=Vacuum Box				
(4) Positions(位数): 060=60P 120=120P 180=180P 240=240P 300=300P				(8) Running Number(流水码)				

3720X	-	P	M	XXX	XXX	XX	X	01
(1)		(2)	(3)	(4)	(5)	(6)	(7)	(8)
(1) Series (系列): 0.50mm High-Speed BTB Series 37201=A 37202=LC 37203=FL				(5) Housing High(塑胶高度): 042=4.26、072=7.26 102=10.26、132=13.26、142=14.26、152=15.24、 182=18.24、212=21.24、242=24.24、292=29.24				
(2) Product type (产品类型): P=Plug 插头				(6) Plating(电镀): W1=3u"Gold/Matte Tin W3=10u"Gold/Matte Tin W5=30u"Gold/Matte Tin				
(3) Board-Mounting(板安装): M=180° SMT				(7) Packing(包装): R=Reel&Reel A=Vacuum Box				
(4) Positions(位数): 060=60P 120=120P 180=180P 240=240P 300=300P				(8) Running Number(流水码)				

Contact Us 联系我们

维峰电子股份有限公司(总部)
WCON ELECTRONICS CO.,LTD(HQ)
地址:广东省东莞市虎门镇大宁文明路15号
Add :No.15,Wenming Road,Danng Community, Humen Town, Dongguan, Guangdong.523930, China

昆山维康电子有限公司
KUNSHAN WCON ELECTRONCIS CO.,LTD(East of China)
地址:昆山市千灯镇汶浦中路169号
Add : No.169, WenPu Middle Road, QianDeng Town, Kunshan City, Jiangsu Province, China

合肥维峰电子有限公司
HEFEI WCON ELECTRONCIS CO.,LTD
地址:安徽省合肥市高新技术开发区绿城科技园E栋2楼
Add : 2F, Building E, Greentown Science Park,High-tech Development Zone, Hefei, Anhui,China

维康电子(泰国)有限公司
WCON ELECTRONICS (Thailand) CO.,LTD
地址:泰国巴真武里府西玛铺县华瓦区洛加纳工业园
Add: VG3C+H57, Hua Wa, Si Maha Phot District, Prachin Buri 25140, Thailand

销售联系方式 Contacts Information

国际客户部 International sales department
salesdg01@wcon.com
salesdg05@wcon.com

大客户专线 Major customer dedicated department
华南: salesdg28@wcon.com
华东: salesks@wcon.com

中小客户专线 Public Customer hot line
华南: salesdg10@wcon.com
华东: salesks01@wcon.com

网络销售 Online sales department
salesdg26@wcon.com



Official Website



Product e-catalog



WeChat Public#



TikTok Public#