

Three-contact  
三点接触

### Overview

The WD3810&WD3811 series are 3.81mm pitch wire-to-board and wire-to-wire connectors. They provide a comprehensive solution for signal and power connections; each pin can carry currents up to 12A. Multiple mounting options—such as mid-air mating, panel mounting, vertical mating, and horizontal mating—meet diverse customer requirements, establishing efficient and stable bridges for power and signal transmission.

### Features and Benefits

- Anti-misplug structure
- Supports high-current transmission (12A Max), Withstands voltages up to 1500V AC
- Three-contact terminal box design for vibration-resistant performance
- Dual-clip detachable design for simple and convenient operation

### Product Applications

- Industrial: Industrial control equipment, servo drives, CNC machine tools, laser cutting machines
- Services: Servers, elevators

### Standard 标准

- QC/1067, EIA-364

### 概述

WD3810&WD3811系列是3.81mm间距线到板，线到线连接器。是一款可提供从信号到电源连接的综合解决方案；单个Pin位可承载电流高达12A，多种适配安装方式，如：空中对接&面板对接，垂直对接，水平对接，应对客户各类使用要求，搭建高效稳定的电源及信号传输桥梁。

### 产品特点

- 防错插结构设计
- 支持大电流传输（12A 最大），耐电压可达到1500V AC
- 端子三触点盒型结构设计，适应各种震动环境
- 双耳扣分离设计，操作简单便捷

### 应用领域

- 工业：工业控制设备、伺服驱动器、数控机床、激光切割机
- 服务：服务器、电梯

### UL certification UL认证

- E248993

### Material 材料

Part/零件	Material/材料	Finish/电镀	UL Flame retardant/阻燃等级
Housing/主体	PBT	Black/黑色	UL94V-0
Header/板端	LCP/PBT	Black/黑色	UL94V-0
Terminal/端子	Copper alloy 铜合金	Gold-plated/镀金 Tin-plated/镀锡	/

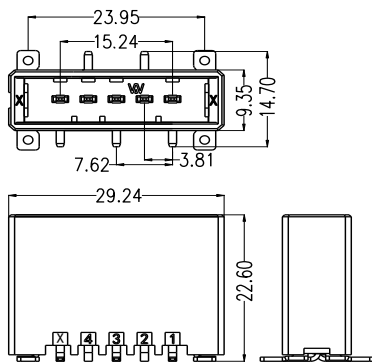
Production Specifications 产品规格

Current rating 额定电流	12.0A	Operating Temperature Range:-55℃~+105℃ (including temperature rise) Operating Humidity Range:20-80% 工作温度范围: -55℃~+105℃(含温升) 工作湿度范围: ≤80%	Storage temperature: Humidity: 储存温度: 25±5℃ 储存湿度: ≤60%
Voltage rating 额定电压	250V		

Item 项目	Condition 条件	Specification 规格
Insulation Resistance 绝缘电阻	Measured at 500V DC for 1 minute 测试电压: 500V DC/1分钟	No less than 1000MΩ 不少于1000MΩ
Withstanding voltage 耐电压	Measured at 1500V AC for 1 minute 测试电压: 1500V AC/1分钟	No breakdown, no discharge, leakage current <0.5 mA 无击穿、无放电、漏电流<0.5 mA
Contact Resistance 接触电阻	Measured at 100mA and no higher than 20mV 用20 mV DC进行测量	Contact resistance: Initial value/ 5 mΩ max After environmental tests/ 10 mΩ max. 接触电阻: 初始值 5 mΩ 以下 测试后 10 mΩ 以下
Vibration Resistance 抗振动	Vibration Frequency : 5~1000Hz Vibration Direction : X,Y,Z; Duration : 8 h each; ( fig 3) 震动频率: 5~1000HZ 震动方向: X,Y,Z 持续时间: 8H各方向	The contacting resistance exceeds 7Ω for no more than 1μs. 连接电阻连续大于 7Ω 的时间不超过 1μs
Temperature life 高温老化	Temperature : 100℃ Duration : 1008H 温度: 100℃ 时间: 1008H	Contact resistance: Initial value/ 5 mΩ max After environmental tests/ 10 mΩ max. 接触电阻: 初始值 5 mΩ 以下 测试后 10 mΩ 以下
Salt Spray 盐雾	Temperature:35±2℃ Humidity:95~98%(R.H) PHValue : 6.5 ~ 7.2 Duration : 24 hours 温度: 35±2° C 湿度: 95~98%(R.H) PH值: 6.5~7.2 时间: 24 H	Contact resistance: Initial value/ 5 mΩ max After environmental tests/ 10 mΩ max. 接触电阻: 初始值 5 mΩ 以下 测试后 10 mΩ 以下
Durability(Mating/un-mating) 插拔寿命	100 cycles 循环100次	Contact resistance: Initial value/ 5 mΩ max After environmental tests/ 10 mΩ max. 接触电阻: 初始值 5 mΩ 以下 测试后 10 mΩ 以下

# WD3810&WD3811 Series

## Dimensions 尺寸 (S/T&SMT)

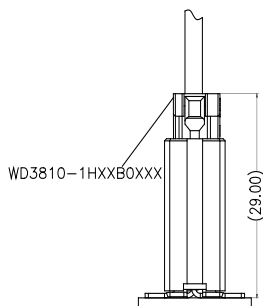


## Order Information 订购信息

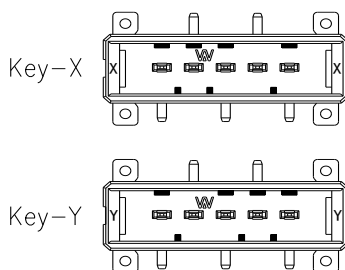
Circuit 芯数	Part number 型号		Plating 电镀	Package 包装 Q'ty/Tube 只/管装	Remake 可量产 状态
	Key-X	Key-Y			
5	WD3810-1WM05XXBT01	WD3810-1WM05XXBT02	XX: SM=Matte Tin W1=3u"Gold/ Matte Tin W4=15u"Gold/	19	*

Note: \* stands for mass production . 注: \*代表可量产

## Assembly Schematic 装配示意

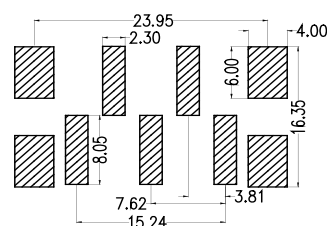


## Key Layout Guide 键位说明



## PCB Layout 印刷电路板布局

SMT type 表面贴装型

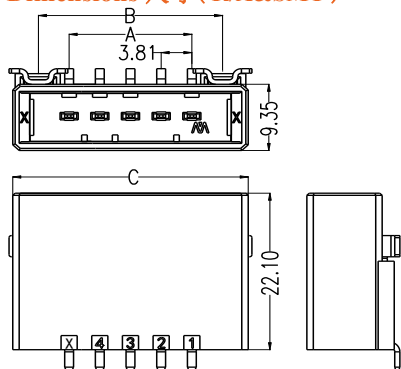


## Order Information 订购信息

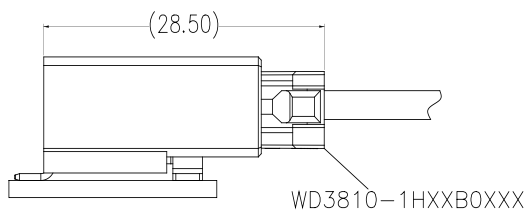
Circuit 芯数	Part number 型号		Plating 电镀	Dimensions 尺寸 (mm)			Package 包装 Q'ty/Tube 只/管装	Remake 可量产 状态
	Key-X	Key-Y		A	B	C		
5	WD3810-1WZ05XXBT01	WD3810-1WZ05XXBT02	XX: SM=Matte Tin W1=3u"Gold/Matte Tin W4=15u"Gold/Matte Tin	15.24	22.86	29.24	19	*
8	WD3810-1WZ08XXBT01	WD3810-1WZ08XXBT02		26.67	34.29	40.67	14	*

Note: \* stands for mass production . 注: \*代表可量产

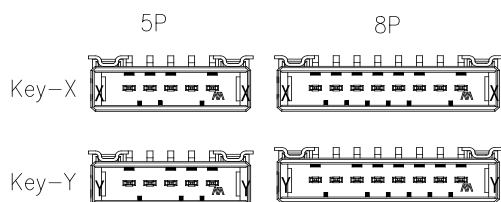
## Dimensions 尺寸 (R/A&SMT)



## Assembly Schematic 装配示意

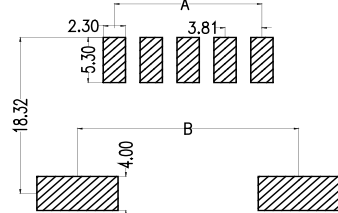


## Key Layout Guide 键位说明



## PCB Layout 印刷电路板布局

SMT type 表面贴装型

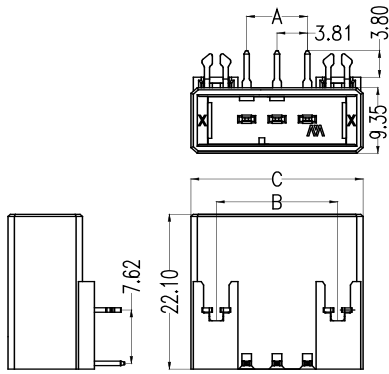


Order Information 订购信息

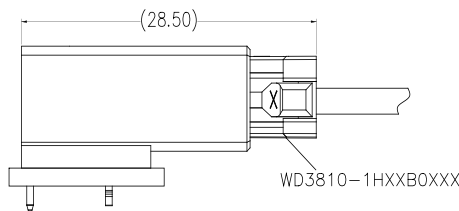
Circuit 芯数	Part number 型号		Plating 电镀	Dimensions 尺寸 (mm)			Package 包装 Q'ty/Tube 只/管装	Remake 可量产 状态
	Key-X	Key-Y		A	B	C		
3	WD3810-1WR03XXBTX1	WD3810-1WR03XXBTX2	XX: SM=Matte Tin  W1=3u"Gold/Matte Tin  W4=15u"Gold/Matte Tin	7.62	15.24	21.62	26	*
4	WD3810-1WR04XXBTX1	WD3810-1WR04XXBTX2		11.43	19.05	25.43	22	*
5	WD3810-1WR05XXBTX1	WD3810-1WR05XXBTX2		15.24	22.86	29.24	19	*
6	WD3810-1WR06XXBTX1	WD3810-1WR06XXBTX2		19.05	26.67	33.05	17	*
8	WD3810-1WR08XXBTX1	WD3810-1WR08XXBTX2		26.67	34.29	40.67	14	*
10	WD3810-1WR10XXBTX1	WD3810-1WR10XXBTX2		34.29	41.91	48.29	12	*

Note: \* stands for mass production . 注: \*代表可量产

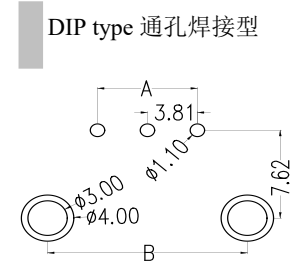
Dimensions 尺寸 (R/A DIP)



Assembly Schematic 装配示意



PCB Layout 印刷电路板布局



Key Layout Guide 键位说明

Foolproof No.	3P	4P	5P	6P
Key-X				
Key-Y				
Foolproof No.	8P	10P		
Key-X				
Key-Y				

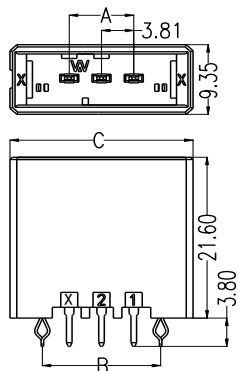
# WD3810&WD3811 Series

## Order Information 订购信息

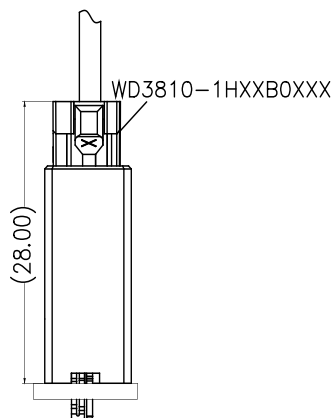
Circuit 芯数	Part number 型号		Plating 电镀	Dimensions 尺寸 (mm)			Package 包装 Q'ty/Tube 只/管装	Remake 可量产 状态
	Key-X	Key-Y		A	B	C		
3	WD3810-1WS03XXBT01	WD3810-1WS03XXBT02	XX: SM=Matte Tin  W1=3u"Gold/Matte Tin  W4=15u"Gold/Matte Tin	7.62	15.24	21.62	26	*
4	WD3810-1WS04XXBT01	WD3810-1WS04XXBT02		11.43	19.05	25.43	22	*
5	WD3810-1WS05XXBT01	WD3810-1WS05XXBT02		15.24	22.86	29.24	19	*
6	WD3810-1WS06XXBT01	WD3810-1WS06XXBT02		19.05	26.67	33.05	17	*
8	WD3810-1WS08XXBT01	WD3810-1WS08XXBT02		26.67	34.29	40.67	14	*
10	WD3810-1WS10XXBT01	WD3810-1WS10XXBT02		34.29	41.91	48.29	12	*

Note: \* stands for mass production. 注: \*代表可量产

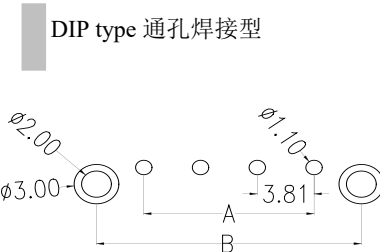
### Dimensions 尺寸 (S/T DIP)



### Assembly Schematic 装配示意



### PCB Layout 印刷电路板布局

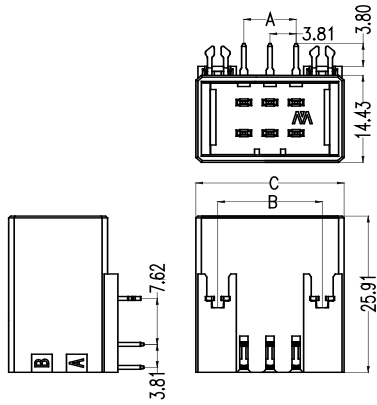


### Key Layout Guide 键位说明

Foolproof No.	3P	4P	5P	6P
Key-X				
Key-Y				

Foolproof No.	8P	10P
Key-X		
Key-Y		

Dimensions 尺寸 (R/A DIP)

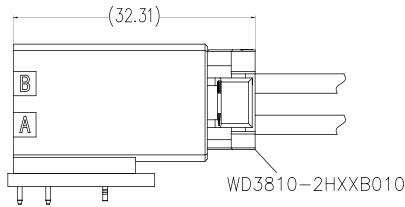


Order Information 订购信息

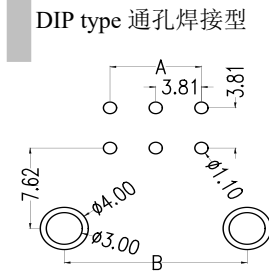
Circuit 芯数	Part number 型号	Plating 电镀	Dimensions 尺寸 (mm)			Package 包装 Q'ty/Tary 只/盘装	Remake 可量产 状态
			A	B	C		
2*3	WD3810-2WR03XXBA10	XX: SM=Matte Tin W1=3u"Gold/ Matte Tin W4=15u"Gold/ Matte Tin	7.62	15.24	21.62	90	*
2*4	WD3810-2WR04XXBA10		11.43	19.05	25.43	75	*
2*5	WD3810-2WR05XXBA10		15.24	22.86	29.24	65	*
2*6	WD3810-2WR06XXBA10		19.05	26.67	33.05	60	*
2*8	WD3810-2WR08XXBA10		26.67	34.29	40.67	45	*
2*10	WD3810-2WR10XXBA10		34.29	41.91	48.29	40	*
2*12	WD3810-2WR12XXBA10		41.91	49.53	55.91	35	*

Note: \* stands for mass production . 注: \*代表可量产

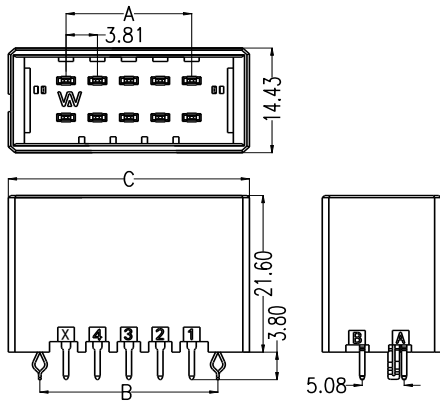
Assembly Schematic 装配示意



PCB Layout 印刷电路板布局



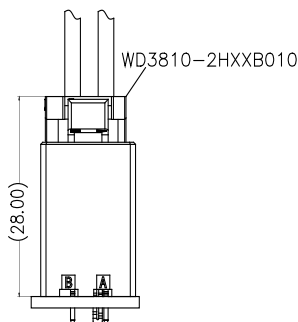
Dimensions 尺寸 (S/T DIP)



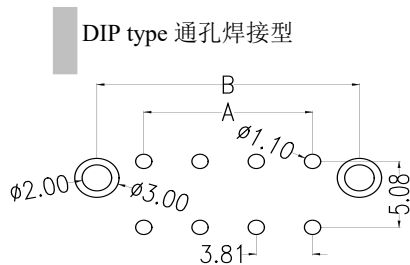
Order Information 订购信息

Circuit 芯数	Part number 型号	Plating 电镀	Dimensions 尺寸 (mm)			Package 包装 Q'ty/Tary 只/盘装	Remake 可量产 状态
			A	B	C		
2*3	WD3810-2WS03XXBA10	XX: SM=Matte Tin W1=3u"Gold/ Matte Tin W4=15u"Gold/ Matte Tin	7.62	15.24	21.62	114	*
2*4	WD3810-2WS04XXBA10		11.43	19.05	25.43	96	*
2*5	WD3810-2WS05XXBA10		15.24	22.86	29.24	84	*
2*6	WD3810-2WS06XXBA10		19.05	26.67	33.05	72	*
2*8	WD3810-2WS08XXBA10		26.67	34.29	40.67	60	*
2*10	WD3810-2WS10XXBA10		34.29	41.91	48.29	48	*
2*12	WD3810-2WS12XXBA10		41.91	49.53	55.91	42	*

Assembly Schematic 装配示意



PCB Layout 印刷电路板布局

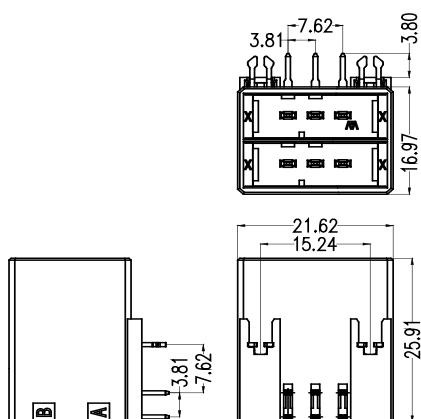


# WD3810&WD3811 Series

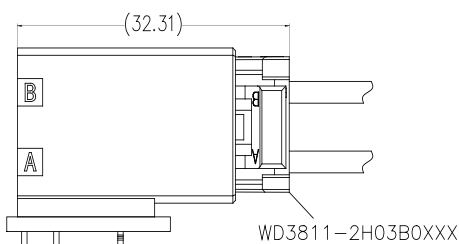
## Order Information 订购信息

Circuit 芯数	Part number 型号			Plating 电镀	Package 包装 Q'ty/Tary 只/盘装	Remake 可量产 状态
	Key-XX	Key-YY	Key-XY			
2*3	WD3811-2WR03XXBA04	WD3811-2WR03XXBA05	WD3811-2WR03XXBA06	XX: SM=Matte Tin  W1=3u"Gold/Matte Tin  W4=15u"Gold/Matte Tin	90	*

### Dimensions 尺寸 (R/A DIP)

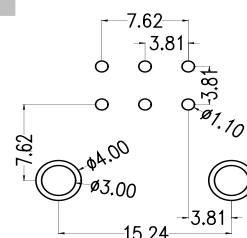


### Assembly Schematic 装配示意

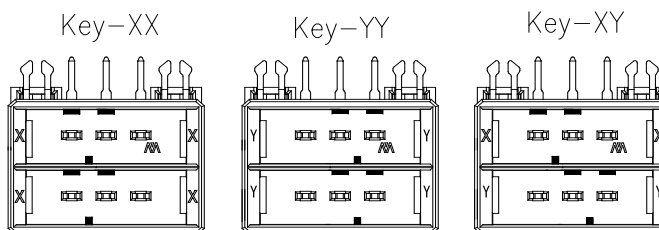


### PCB Layout 印刷电路板布局

DIP type 通孔焊接型



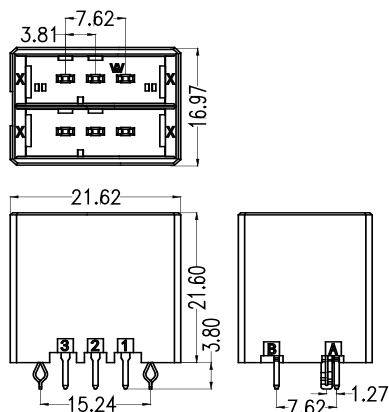
### Key Layout Guide 键位说明



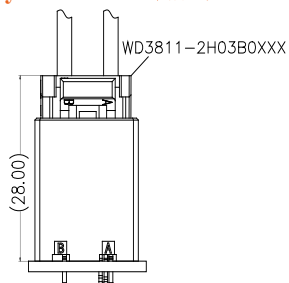
## Order Information 订购信息

Circuit 芯数	Part number 型号			Plating 电镀	Package 包装 Q'ty/Tary 只/盘装	Remake 可量产 状态
	Key-XX	Key-YY	Key-XY			
2*3	WD3811-2WS03XXBA04	WD3811-2WS03XXBA05	WD3811-2WS03XXBA06	XX: SM=Matte Tin  W1=3u"Gold/Matte Tin  W4=15u"Gold/Matte Tin	114	*

### Dimensions 尺寸 (S/T DIP)

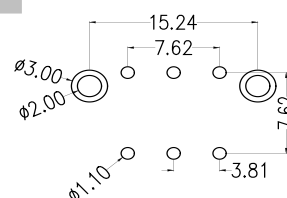


### Assembly Schematic 装配示意

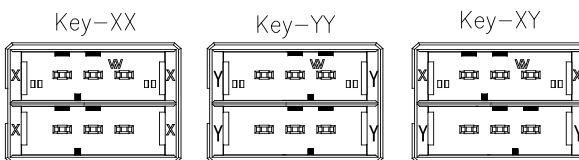


### PCB Layout 印刷电路板布局

DIP type 通孔焊接型



### Key Layout Guide 键位说明

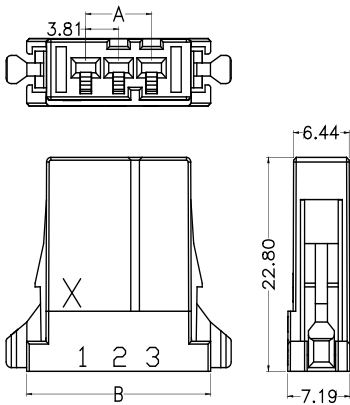


Order Information 订购信息

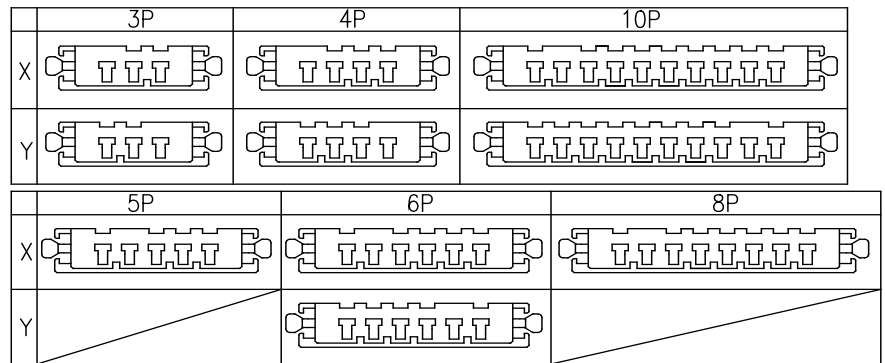
Circuit 芯数	Part number 型号		Dimensions 尺寸 (mm)		Parkage 包装 Qty/Bag 只/袋装	Remake 可量产状态
	Key-X	Key-Y	A	B		
3	WD3810-1H03B001	WD3810-1H03B002	7.62	19.37	1000	*
4	WD3810-1H04B001	WD3810-1H04B002	11.43	23.18	500	*
5	WD3810-1H05B001	WD3810-1H05B002	15.24	26.99	400	*
6	WD3810-1H06B001	WD3810-1H06B002	19.05	30.80	400	*
8	WD3810-1H08B001	WD3810-1H08B002	26.67	38.42	400	*
10	WD3810-1H10B001	WD3810-1H10B002	34.29	46.04	400	*

Note: \* stands for mass production . 注: \*代表可量产

Dimensions 尺寸



Key Layout Guide 键位说明

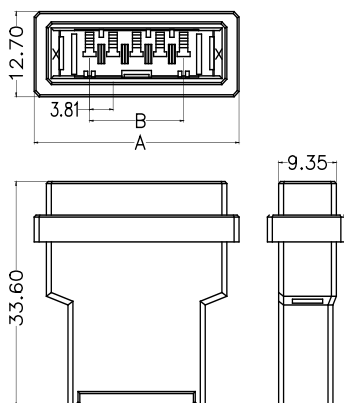


Order Information 订购信息

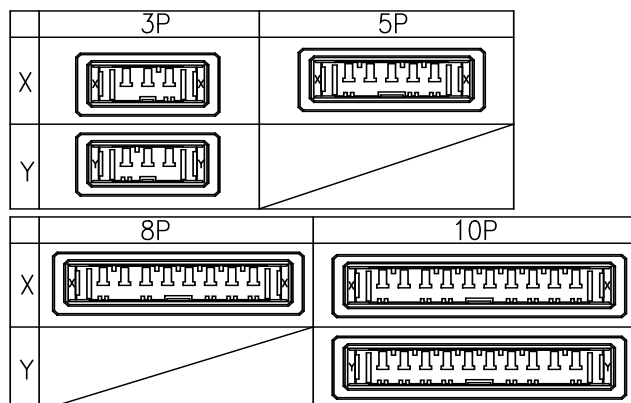
Circuit 芯数	Part number 型号		Dimensions 尺寸 (mm)		Parkage 包装 Qty/Bag 只/袋装	Remake 可量产状态
	Key-X	Key-Y	A	B		
3	WD3810-1HK03B001	WD3810-1HK03B002	25.57	7.62	400	*
5	WD3810-1HK05B001	/	33.19	15.24	300	*
8	WD3810-1HK08B001	/	44.62	26.67	200	*
10	WD3810-1HK10B001	WD3810-1HK10B002	52.24	34.29	150	*

Note: \* stands for mass production . 注: \*代表可量产

Dimensions 尺寸



Key Layout Guide 键位说明



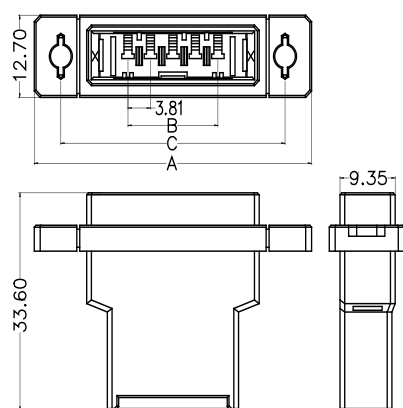
# WD3810&WD3811 Series

## Order Information 订购信息

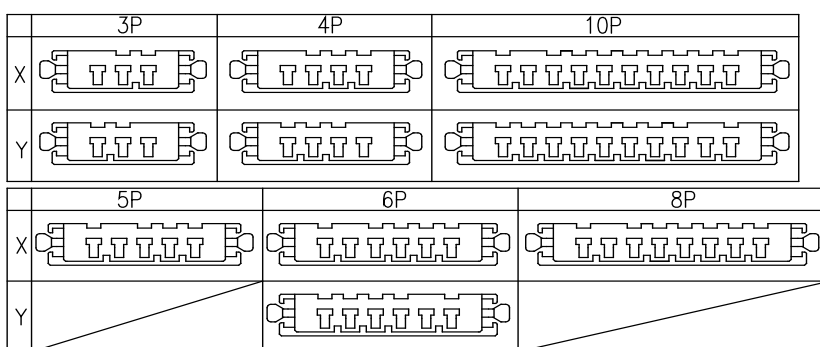
Circuit 芯数	Part number 型号		Dimensions 尺寸 (mm)			Parkage 包装 Q'ty/Bag 只/袋装	Remake 可量产状态
	Key-X	Key-Y	A	B	C		
3	WD3810-1HG03B001	WD3810-1HG03B002	40.00	7.62	31.00	300	*
5	WD3810-1HG05B001	WD3810-1HG05B002	47.00	15.24	38.00	200	*
8	WD3810-1HG08B001	WD3810-1HG08B002	59.00	26.67	50.00	100	*
10	WD3810-1HG10B001	WD3810-1HG10B002	67.00	34.29	58.00	100	*

Note: \* stands for mass production . 注: \*代表可量产

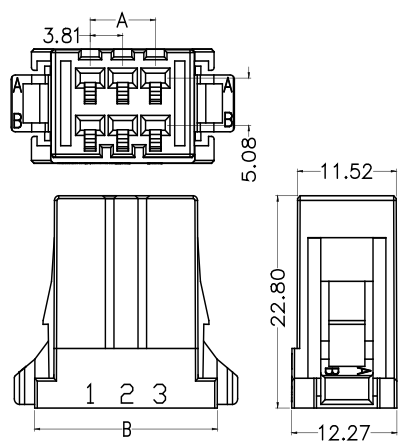
## Dimensions 尺寸



## Key Layout Guide 键位说明



## Dimensions 尺寸

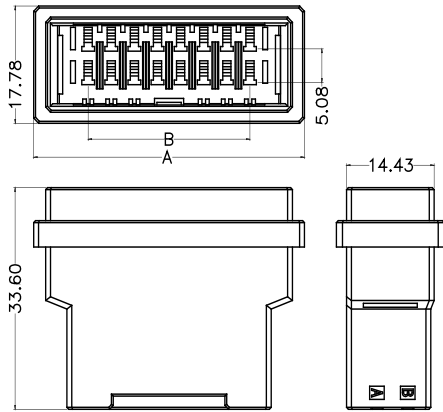


## Order Information 订购信息

Circuit 芯数	Part number 型号	Dimensions 尺寸 (mm)		Parkage 包装 Q'ty/Bag 只/袋装	Remake 可量产状态
		A	B		
2*3	WD3810 -2H03B010	7.62	21.32	500	*
2*4	WD3810 -2H04B010	11.43	25.13	500	*
2*5	WD3810 -2H05B010	15.24	28.94	400	*
2*6	WD3810 -2H06B010	19.05	32.75	250	*
2*8	WD3810 -2H08B010	26.67	40.37	250	*
2*10	WD3810 -2H10B010	34.29	47.99	200	*

Note: \* stands for mass production . 注: \*代表可量产

Dimensions 尺寸

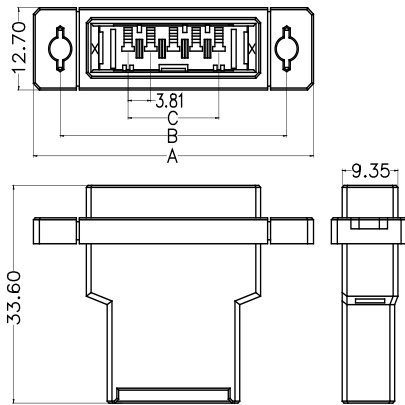


Order Information 订购信息

Circuit 芯数	Part number 型号	Dimensions 尺寸 (mm)		Parkage 包装 Q'ty/Bag 只/袋装	Remake 可量产状态
		A	B		
2*3	WD3810-2HK03B010	25.57	7.62	150	*
2*4	WD3810-2HK04B010	29.38	11.43	150	*
2*5	WD3810-2HK05B010	33.19	15.24	150	*
2*6	WD3810-2HK06B010	37.00	19.05	150	*
2*8	WD3810-2HK03B010	44.62	26.67	150	*
2*10	WD3810-2HK03B010	52.24	34.29	100	*

Note: \* stands for mass production . 注: \*代表可量产

Dimensions 尺寸



Order Information 订购信息

Circuit 芯数	Part number 型号	Dimensions 尺寸 (mm)			Parkage 包装 Q'ty/Bag 只/袋装	Remake 可量产状态
		A	B	C		
2*3	WD3810 -2HG03B010	40.00	31.00	7.62	200	*
2*5	WD3810 -2HG05B010	47.00	38.00	15.24	150	*
2*6	WD3810 -2HG06B010	51.00	42.00	19.05	150	*
2*8	WD3810 -2HG08B010	59.00	50.00	26.67	120	*
2*10	WD3810 -2HG10B010	67.00	58.00	34.29	100	*

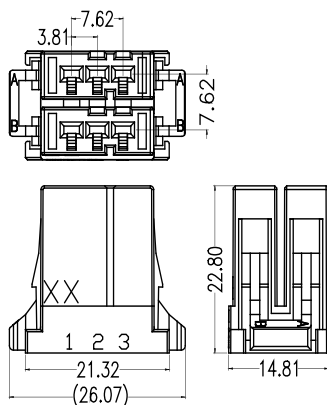
Note: \* stands for mass production . 注: \*代表可量产

Order Information 订购信息

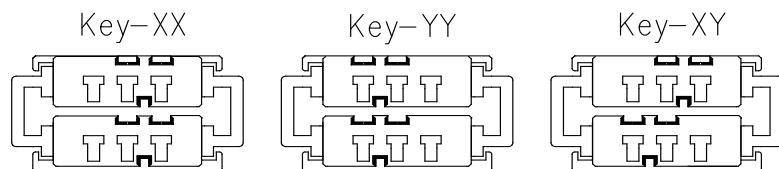
Circuit 芯数	Part number 型号			Parkage 包装 Q'ty/Bag 只/袋装	Remake 可量产状态
	Key-XX	Key-YY	Key-XY		
2*3	WD3811-2H03B004	WD3811-2H03B005	WD3811-2H03B006	400	*

Note: \* stands for mass production . 注: \*代表可量产

Dimensions 尺寸

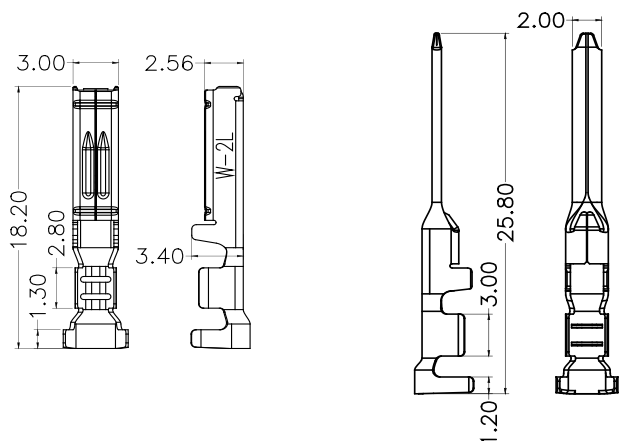


Key Layout Guide 键位说明



# WD3810&WD3811 Series

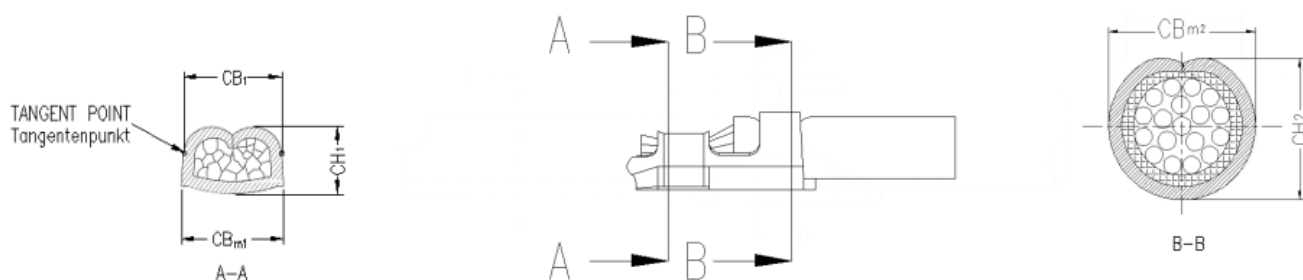
## Adaptor Terminal 适配端子



Part number 型号	Suitable wire diameter 适配线径
WD3810-XTD414XX0X	14~16AWG
WD3810-XTD416XX01	16~20AWG
WD3810-XTD420XX01	20~24AWG
WD3810-XTD424XX01	24~28AWG

## Terminal Crimping Specification 端子压接规范

型号 Model number	电线类型 Wire type	电线规格 Wire size	线缆 OD (mm) Cable OD (mm)	剥线长度 (mm) Strip length (mm)	导体铆压 (A-A) Conductor crimp		导体铆压 (B-B) Conductor crimp	
					压接宽度CBm1 Crimping height CBm1±0.05mm	压接高度 Crimping height CH1±0.03mm	压接宽度CBm2 Crimping width CBm2±0.05mm	压接高度CH2 Crimping width CH2±0.08mm
WD3810-XTD414XX0X	/	14AWG	2.20~3.40	4.3~5.3	2.54	1.68	2.79	3.20
	/	16AWG				1.45		3.20
WD3810-XTD416XX01	/	16AWG	2.35~2.80	3.8~4.8	2.29	1.46	2.79	3.0~3.20
	/	18AWG	2.03~2.80			1.30		2.8~3.20
	/	20AWG	1.80~2.56			1.18		2.8~3.1
WD3810-XTD420XX01	/	20AWG	1.80~2.56	3.8~4.8	1.57	1.20	2.79	2.6~2.9
	/	22AWG	1.60~2.38			1.11		2.5~2.8
	/	24AWG	1.27~1.43			1.04		2.4
WD3810-XTD424XX01	/	24AWG	/	/	/	/	/	/
	/	26AWG	/	/	/	/	/	/
	/	28AWG	/	/	/	/	/	/



Model Numbering 型号命名

<b>WD3810</b>	-	<b>X</b>	<b>WX</b>	<b>XX</b>	<b>XX</b>	<b>B</b>	<b>X</b>	<b>XX</b>
(1)		(2)	(3)	(4)	(5)	(6)	(7)	(8)
(1) Series (系列): 3.81mm Dyn Series				(5) Contact Plating (电镀): SM=Matte Tin、 W3=10u" Gold /Matte Tin、 W4=15u" Gold /Matte Tin				
(2) Number of rows (排数): 1=Single Row、2=Double Row				(6) Color(颜色): B=Black				
(3) Terminal type (端子形态): WS=S/T DIP、 WR=R/A DIP、WM=S/T&SMT、WZ=R/A&SMT				(7) Packing (包装): T=Tube、A=Tray				
(4) Positions (位数): 03=3P.....10=10P (Single Row)、 2*3=6P.....2*12=24P (Double Row)				(8) Running number (流水码): 01=Key-X、02=Key-Y、 10=Symmetrical (LCP)、30=Symmetrical (PBT)				

<b>WD3810</b>	-	<b>X</b>	<b>H</b>	<b>XX</b>	<b>B</b>	<b>0</b>	<b>XX</b>
(1)		(2)	(3)	(4)	(5)	(6)	(7)
(1) Series (系列): 3.81mm Dyn Series				(5) Color(颜色): B=Black			
(2) Number of rows (排数): 1=Single Row、2=Double Row				(6) Packing (包装): 0=PE Bag			
(3) Product type (产品类型): H=Crimp Type Housing				(7) Running number (流水码): 01=Key-X、02=Key-Y、 10=Symmetrical			
(4) Positions (位数): 03=3P.....10=10P (Single Row)、 2*3=6P.....2*12=24P (Double Row)							

<b>WD3810</b>	-	<b>X</b>	<b>HK</b>	<b>XX</b>	<b>B</b>	<b>0</b>	<b>XX</b>
(1)		(2)	(3)	(4)	(5)	(6)	(7)
(1) Series (系列): 3.81mm Dyn Series				(5) Color(颜色): B=Black			
(2) Number of rows (排数): 1=Single Row、2=Double Row				(6) Packing (包装): 0=PE Bag			
(2) Product type (产品类型): HK=Aerial Joints Housing				(7) Running number (流水码): 01=Key-X、02=Key-Y、 10=Symmetrical			
(3) Positions (位数): 03=3P.....10=10P (Single Row)、 2*3=6P.....2*12=24P (Double Row)							

<b>WD3810</b>	-	<b>X</b>	<b>HG</b>	<b>XX</b>	<b>B</b>	<b>0</b>	<b>XX</b>
(1)		(2)	(3)	(4)	(5)	(6)	(7)
(1) Series (系列): 3.81mm Dyn Series				(5) Color(颜色): B=Black			
(2) Number of rows (排数): 1=Single Row、2=Double Row				(6) Packing (包装): 0=PE Bag			
(2) Product type (产品类型): HG=Panel mounted Housing				(7) Running number (流水码): 01=Key-X、02=Key-Y、 10=Symmetrical			
(3) Positions (位数): 03=3P.....10=10P (Single Row)、 2*3=6P.....2*12=24P (Double Row)							

## WD3810&WD3811 Series

### Model Numbering 型号命名

<b>WD3811</b>	-	<b>2</b>	<b>WX</b>	<b>03</b>	<b>XX</b>	<b>B</b>	<b>A</b>	<b>0</b>	<b>X</b>
(1)		(2)	(3)	(4)	(5)	(6)	(7)	(8)	(9)
(1) Series (系列): 3.81mm Dyn Series					(6) Color(颜色): B=Black				
(2) Number of rows (排数): 2=Double Row					(7) Packing (包装): A=Tray				
(3) Terminal type (端子形态): WS=S/T DIP、WR=R/A DIP					(8) Material (材料): 0=LCP、2=PBT				
(4) Positions (位数): 2*3=6P					(9) Running number (流水码): 4=Key-XX、5=Key-YY、6=Key-XY				
(5) Contact Plating (电镀): SM=Matte Tin、W3=10u" Gold /Matte Tin、W4=15u" Gold /Matte Tin									

<b>WD3811</b>	-	<b>2</b>	<b>H</b>	<b>03</b>	<b>B</b>	<b>0</b>	<b>XX</b>
(1)		(2)	(3)	(4)	(5)	(6)	(7)
(1) Series (系列): 3.81mm Dyn Series				(5) Color(颜色): B=Black			
(2) Number of rows (排数): 2=Double Row				(6) Packing (包装): 0=PE Bag			
(3) Product type (产品类型): H=Crimp Type Housing				(7) Running number (流水码): 04=Key-XX、05=Key-YY、06=Key-XY			
(4) Positions (位数): 2*3=6P							

## Contact Us 联系我们

维峰电子股份有限公司(总部)  
WCON ELECTRONICS CO.,LTD(HQ)  
地址:广东省东莞市虎门镇大宁文明路15号  
Add :No.15,Wenming Road,Daning Community, Humen Town, Dongguan, Guangdong,523930, China

昆山维康电子有限公司  
KUNSHAN WCON ELECTRONICIS CO.,LTD(East of China)  
地址:江苏昆山市千灯镇汶浦中路169号  
Add : No.169, WenPu Middle Road, QianDeng Town, Kunshan City, Jiangsu Province, China

合肥维峰电子有限公司  
HEFEI WCON ELECTRONICIS CO.,LTD  
地址:安徽合肥市高新技术产业开发区绿城科技园E栋2楼  
Add : 2F, Building E, Greentown Science Park, High-tech Development Zone, Hefei, Anhui, China

维康电子(泰国)有限公司  
WCON ELECTRONICS (Thailand) CO.,LTD  
地址:泰国巴真武里府西玛铺县华瓦区洛加纳工业园  
Add: VG3C+H57, Hua Wa, Si Maha Phot District, Prachin Buri 25140, Thailand

### 销售联系方式 Sales Contacts

国际客户部 International Sales Department  
salesdg01@wcon.com  
salesdg05@wcon.com

大客户专线 Key Account Line  
华南: salesdg28@wcon.com  
华东: salesks@wcon.com

中小客户专线 Small and Medium-sized Account Line  
华南: salesdg10@wcon.com  
华东: salesks01@wcon.com

网络销售 Online sales  
salesdg26@wcon.com



Official Website



Product e-catalog



WeChat Public#



TikTok Public#