

# HSF

**NOTES:**

Current Rating: 1.5AMP.(20°C, 1\*2P-1\*15P)  
 1.0AMP.(20°C, 1\*16P-1\*50P)  $\triangle A4$

Contact Resistance: 20m $\Omega$  Max  
 Withstand Voltage: 500V AC  
 Insulation Resistance: 1000M $\Omega$  Min  $\triangle A4$

Operation Temperature: -40°C to +125°C (Gold Plating)  
 -40°C to +105°C (Tin Plating)

Contact Material: Copper Alloy  
 Contact plating: Au Or Sn Over 30u" Min Ni  
 Insulator Material: PA9T+G.F UL94V-0  $\triangle A4$

## Ordering Information

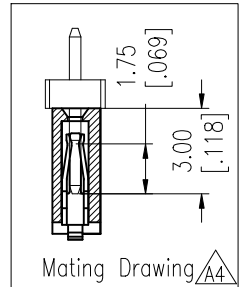
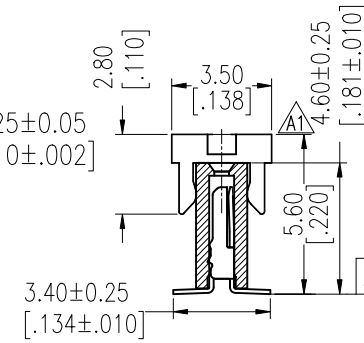
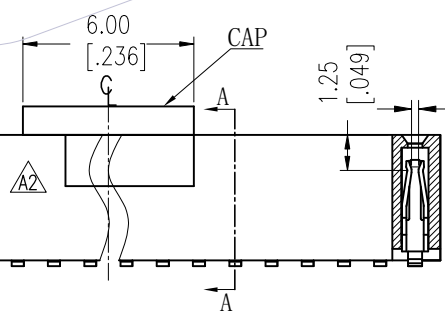
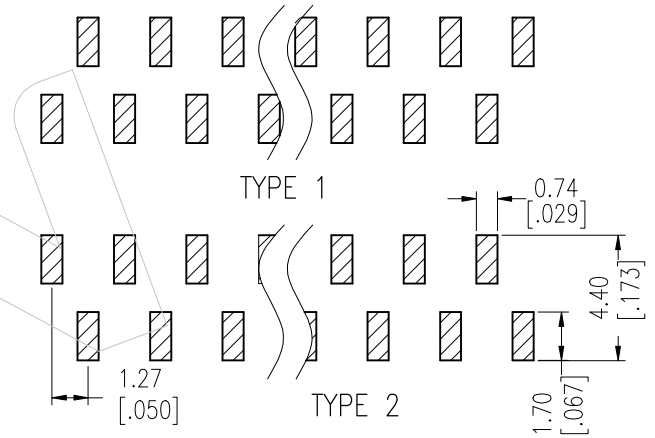
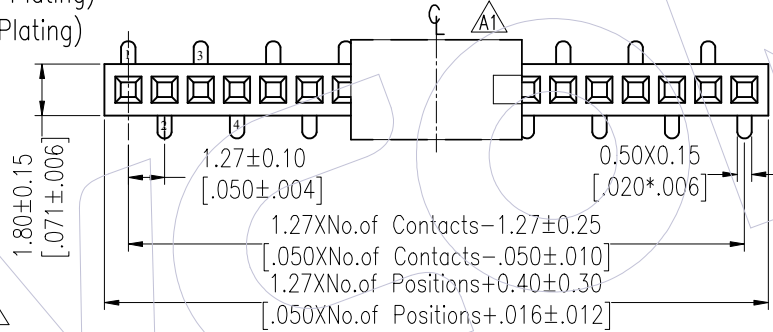
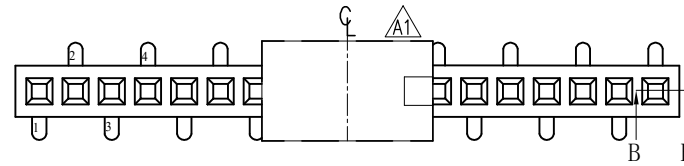
**2344-1 XX M XX C U N X X  $\triangle A4$**

Plastic Row  
 No. of Pins Per Row: 02-50  
 Welding Type M=SMT

Series No. 1=TYPE 1 2=TYPE 2  
 Packing: T=Tube P=Tube+CAP R=Tape&Reel+CAP  
 Logo N=W/O Logo  
 Contact Type U=U Type  
 Insulator Material C=PA9T

Contact Plating  
 G0=Gold Flash  
 G3=10u" Au, BG3=8u" PdNi+2u" Au  
 G4=15u" Au, BG4=13u" PdNi+2u" Au  
 G5=30u" Au, BG5=28u" PdNi+2u" Au  
 S0=Gold Flash/Tin  
 S3=10u" Au/Sn, P3=8u" PdNi+2u" Au/Sn  
 S4=15u" Au/Sn, P4=13u" PdNi+2u" Au/Sn  
 S5=30u" Au/Sn, P5=28u" PdNi+2u" Au/Sn  
 SN=Bright Tin

Recommended P.C.B Layout (Top Side)  
 (PCB BOARD TOLERANCE  $\pm 0.05$ )  
 (PCB Thickness: T=1.60m)



Item	Pitch	Mating	DIM.B
Standard	1.27	1310/1315/1320	3.00 $\triangle A4$
Alternate			

Pin (Per Row)	2-15P	16-30P	31-50P
	M	0.10	0.15

TITLE	PART NO.
TYPE 1	2344-1XXMXXXUNX1
TYPE 2	2344-1XXMXXXUNX2

REV	DATE	MODIFICATION DESCRIPTION	CHANGE	OPERATION	DRAW	DATE	SCALE	FIT	PART NO.
A4	2026/01/29	Standardization Drawing	CP	OPERATION	DRAW	2026/01/29	UNIT	mm	SEE TABLE
A3	2023/02/03	ADD Flatness	XSR	x.x $\pm 0.40$	CP	2026/01/29	SIZE	A4	TITLE: 1.27mm Female Header SINGLE ROW 180°SMT H=4.40
A2	2017/04/14	MODIFY CAP	XSR	x.xx $\pm 0.25$ x.xxx $\pm 0.15$	CHECK TANG	2026/01/29	SHEET	1/4	
A0	2012/07/09	NEW	JYHuang	Angle $\pm 3^\circ$	APPROVE	DATE	PROJ.	$\varnothing$	Customer NO.
				DIM TOL	Steven Zhao	2026/01/29			

# WCON

Http: www.wcon.com

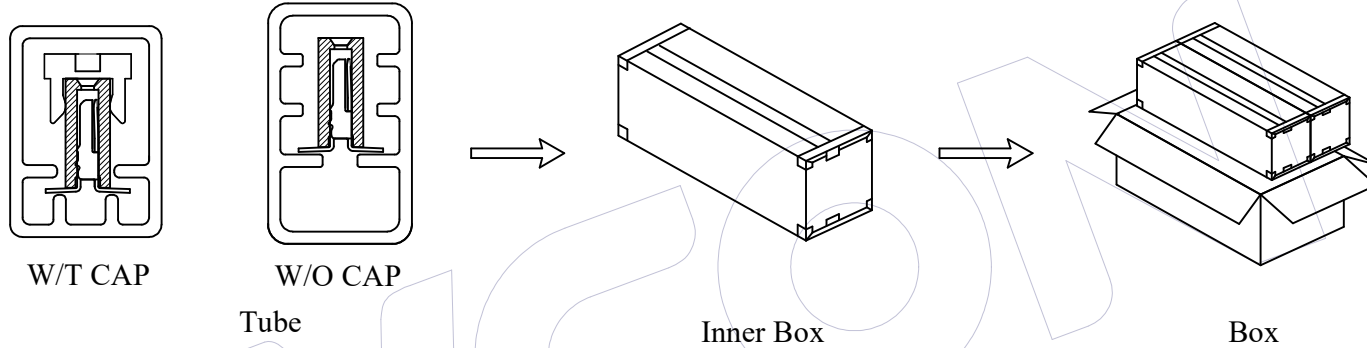
WCON-Dongguan Tel: +86 769 85358920 Fax: +86 769 85358915 E-mail: sales@wcon.com

WCON-Kunshan Tel: +86 512 57468408 Fax: +86 512 57468468 E-mail: salesks@wcon.com

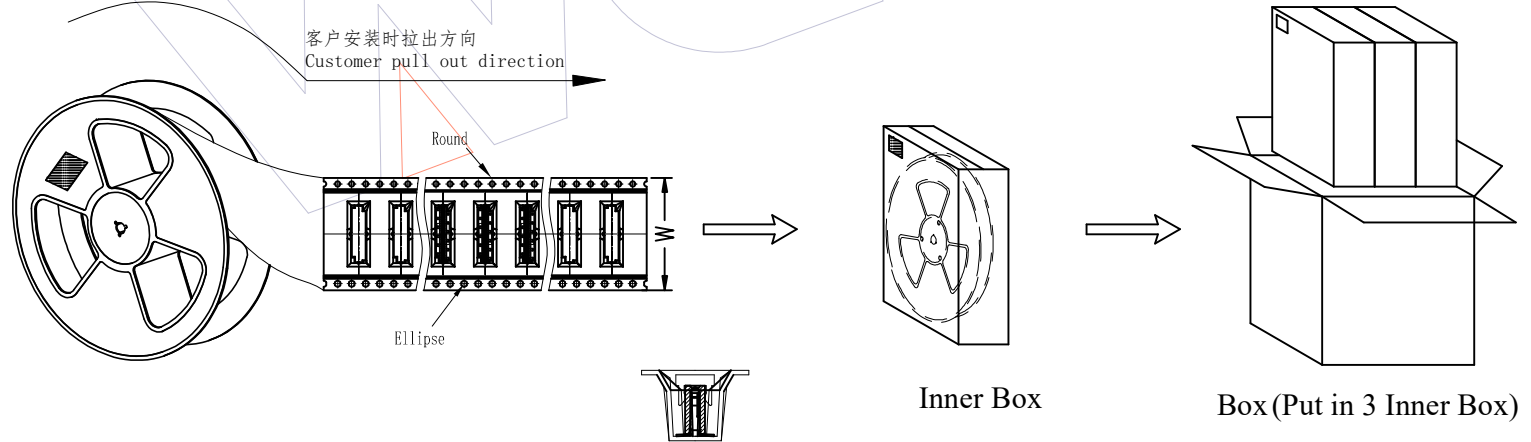
HSF

Packing:

Tube:



Reel:



A4	2026/01/29	Standardization Drawing	CP	OPERATION	DRAW	DATE	SCALE	FIT	PART NO.
A3	2023/02/03	ADD Flatness	XSR	x.x ±0.40	CP	2026/01/29	UNIT	mm	SEE TABLE
A2	2017/04/14	MODIFY CAP	XSR	x.xx ±0.25	CHECK	DATE	SIZE	A4	TITLE:
A0	2012/07/09	NEW	JYHuang	x.xxx ±0.15	TANG	2026/01/29	SHEET	2/4	1.27mm Female Header SINGLE ROW 180°SMT H=4.40
REV	DATE	MODIFICATION DESCRIPTION	CHANGE	Angle ± 3'	APPROVE	DATE	PROJ.	⌀	Customer NO.
				DIM TOL	Steven Zhao	2026/01/29			

**WCON**

Http: www.wcon.com

WCON-Dongguan Tel: +86 769 85358920 Fax: +86 769 85358915 E-mail: sales@wcon.com	WCON-Kunshan Tel: +86 512 57468408 Fax: +86 512 57468468 E-mail: sales@wcon.com
---	--

**HSF**

## Packaging Quantity Refers To The Following Table

W/T CAP

W/T CAP

W/O CAP

W/O CAP

PINS	Q' ty/Tube	Q' ty/Inner Box	Q' ty/Box
2	/	/	/
3	96	28,800	57,600
4	96	28,800	57,600
5	85	25,500	51,000
6	72	21,600	43,200
7	62	18,600	37,200
8	55	16,500	33,000
9	49	14,700	29,400
10	44	13,200	26,400
11	40	12,000	24,000
12	36	10,800	21,600
13	34	10,200	20,400
14	31	9,300	18,600
15	29	8,700	17,400
16	27	8,100	16,200
17	26	7,800	15,600
18	25	7,500	15,000
19	23	6,900	13,800
20	22	6,600	13,200
21	21	6,300	12,600
22	20	6,000	12,000
23	19	5,700	11,400
24	18	5,400	10,800
25	18	5,400	10,800
26	17	5,100	10,200

PINS	Q' ty/Tube	Q' ty/Inner Box	Q' ty/Box
27	16	4,800	9,600
28	16	4,800	9,600
29	15	4,500	9,000
30	15	4,500	9,000
31	14	4,200	8,400
32	14	4,200	8,400
33	13	3,900	7,800
34	13	3,900	7,800
35	12	3,600	7,200
36	12	3,600	7,200
37	12	3,600	7,200
38	11	3,300	6,600
39	11	3,300	6,600
40	11	3,300	6,600
41	10	3,000	6,000
42	10	3,000	6,000
43	10	3,000	6,000
44	10	3,000	6,000
45	10	3,000	6,000
46	9	2,700	5,400
47	9	2,700	5,400
48	9	2,700	5,400
49	9	2,700	5,400
50	9	2,700	5,400

PINS	Q' ty/Tube	Q' ty/Inner Box	Q' ty/Box
2	1,500/Tray	/	72,000
3	137	49,320	95,640
4	104	37,440	74,880
5	85	30,600	61,200
6	72	25,920	51,840
7	62	22,320	44,640
8	55	19,800	39,600
9	49	17,640	35,280
10	44	15,840	31,680
11	40	14,400	28,800
12	36	12,960	25,920
13	34	12,240	24,480
14	31	11,160	22,320
15	29	10,440	20,880
16	27	9,720	19,440
17	26	9,360	18,720
18	25	9,000	18,000
19	23	8,280	16,560
20	22	7,920	15,840
21	21	7,560	15,120
22	20	7,200	14,400
23	19	6,840	13,680
24	18	6,480	12,960
25	18	6,480	12,960
26	17	6,120	12,240

PINS	Q' ty/Tube	Q' ty/Inner Box	Q' ty/Box
27	16	5,760	11,520
28	16	5,760	11,520
29	15	5,400	10,800
30	15	5,400	10,800
31	14	5,040	10,080
32	14	5,040	10,080
33	13	4,680	9,360
34	13	4,680	9,360
35	12	4,320	8,640
36	12	4,320	8,640
37	12	4,320	8,640
38	11	3,960	7,920
39	11	3,960	7,920
40	11	3,960	7,920
41	10	3,600	7,200
42	10	3,600	7,200
43	10	3,600	7,200
44	10	3,600	7,200
45	10	3,600	7,200
46	9	3,240	6,480
47	9	3,240	6,480
48	9	3,240	6,480
49	9	3,240	6,480
50	9	3,240	6,480

A4	2026/01/29	Standardization Drawing	CP	OPERATION	DRAW	DATE	SCALE	FIT	PART NO.
A3	2023/02/03	ADD Flatness	XSR	x.X ±0.40	CP	2026/01/29	UNIT	mm	SEE TABLE
A2	2017/04/14	MODIFY CAP	XSR	x.XX ±0.25	CHECK	DATE	SIZE	A4	TITLE:
A0	2012/07/09	NEW	JYHuang	x.XXX ±0.15	TANG	2026/01/29	SHEET	3/4	1.27mm Female Header SINGLE ROW 180°SMT H=4.40
REV	DATE	MODIFICATION DESCRIPTION	CHANGE	Angle ± 3'	APPROVE	DATE	PROJ.	Customer NO.	
				DIM TOL	Steven Zhao	2026/01/29			

**WCON**

Http: www.wcon.com

WCON-Dongguan Tel: +86 769 85358920 Fax: +86 769 85358915 E-mail: sales@wcon.com	WCON-Kunshan Tel: +86 512 57468408 Fax: +86 512 57468468 E-mail: sales@wcon.com
---	--

**HSF**

## Packaging Quantity Refers To The Following Table

PINS	W	Q' ty/Reel	Q' ty/Inner Box	Q' ty/Box	PINS	W	Q' ty/Reel	Q' ty/Inner Box	Q' ty/Box
2	16	900	3,600	10,800	27	56	900	900	2,700
3	16	900	3,600	10,800	28	56	900	900	2,700
4	16	900	3,600	10,800	29	56	900	900	2,700
5	16	900	3,600	10,800	30	56	900	900	2,700
6	24	900	2,700	8,100	31	56	900	900	2,700
7	24	900	2,700	8,100	32	56	900	900	2,700
8	24	900	2,700	8,100	33	56	900	900	2,700
9	24	900	2,700	8,100	34	56	900	900	2,700
10	24	900	2,700	8,100	35	72	900	900	2,700
11	24	900	2,700	8,100	36	72	900	900	2,700
12	32	900	1,800	5,400	37	72	900	900	2,700
13	32	900	1,800	5,400	38	72	900	900	2,700
14	32	900	1,800	5,400	39	72	900	900	2,700
15	32	900	1,800	5,400	40	72	900	900	2,700
16	44	900	1,800	5,400	41	72	900	900	2,700
17	44	900	1,800	5,400	42	72	900	900	2,700
18	44	900	1,800	5,400	43	72	900	900	2,700
19	44	900	1,800	5,400	44	72	900	900	2,700
20	44	900	1,800	5,400	45	72	900	900	2,700
21	44	900	1,800	5,400	46	72	900	900	2,700
22	44	900	1,800	5,400	47	88	900	900	2,700
23	44	900	1,800	5,400	48	88	900	900	2,700
24	44	900	1,800	5,400	49	88	900	900	2,700
25	56	900	900	2,700	50	88	900	900	2,700
26	56	900	900	2,700					

A4	2026/01/29	Standardization Drawing	CP	OPERATION	DRAW	DATE	SCALE	FIT	PART NO.
A3	2023/02/03	ADD Flatness	XSR	x.x ±0.40	CP	2026/01/29	UNIT	mm	SEE TABLE
A2	2017/04/14	MODIFY CAP	XSR	x.xx ±0.25	CHECK	DATE	SIZE	A4	TITLE:
A0	2012/07/09	NEW	JYHuang	x.xxx ±0.15	TANG	2026/01/29	SHEET	4/4	1.27mm Female Header SINGLE ROW 180°SMT H=4.40
REV	DATE	MODIFICATION DESCRIPTION	CHANGE	Angle ± 3° DIM TOL	APPROVE Steven Zhao	DATE 2026/01/29	PROJ.	⌀	Customer NO.

**WCON**

Http: [www.wcon.com](http://www.wcon.com)

WCON-Dongguan Tel: +86 769 85358920 Fax: +86 769 85358915 E-mail: <a href="mailto:sales@wcon.com">sales@wcon.com</a>	WCON-Kunshan Tel: +86 512 57468408 Fax: +86 512 57468468 E-mail: <a href="mailto:salesks@wcon.com">salesks@wcon.com</a>
---	--